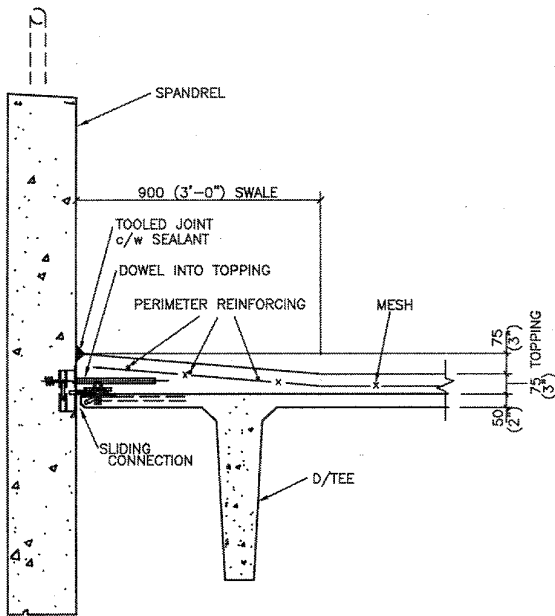
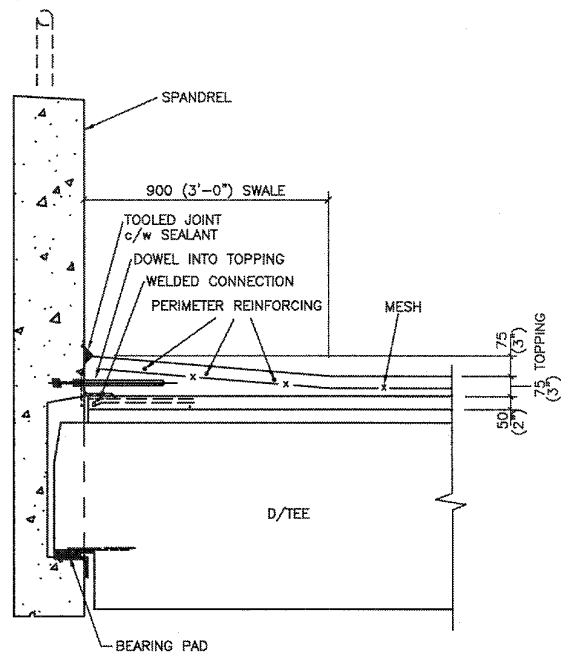


Structural Precast/Prestressed Concrete

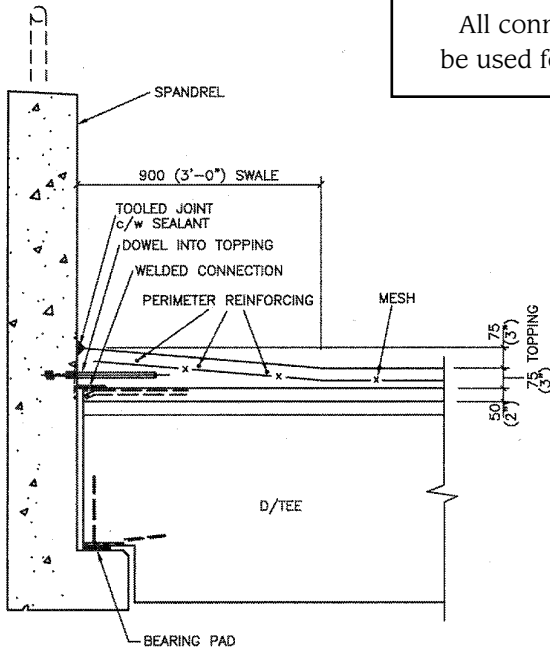


Non Load-Bearing Spandrel
To Double Tee Connection

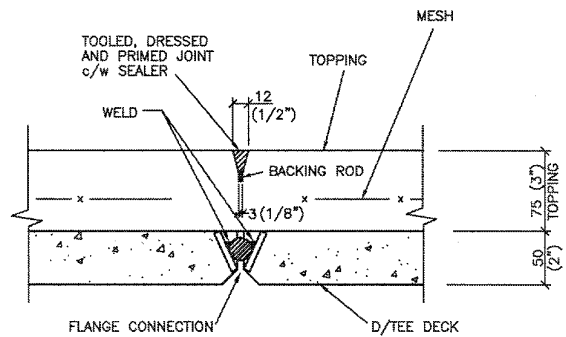


Load-Bearing Pocketed Spandrel
To Double Tee Connection

All connections shown are to be used for concept design only.



Load-Bearing Ledged Spandrel
To Double Tee Connection



Crack Control Detail
@ Double Tee Joints

Garages

© CPCI—No design guide can substitute for experience and professional judgement. These details are intended for use by professional personnel competent to evaluate the significance and limitations of their contents and able to accept responsibility for the application of the material it contains. Please contact the CPCI member nearest you for detailed information and the CPCI Web Site *Discussion Forum* with questions or suggestions for improvement.