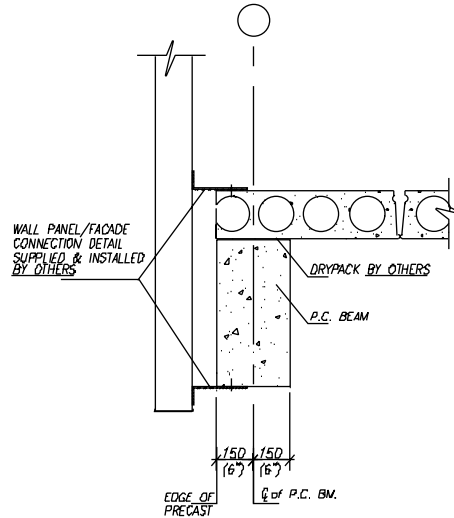
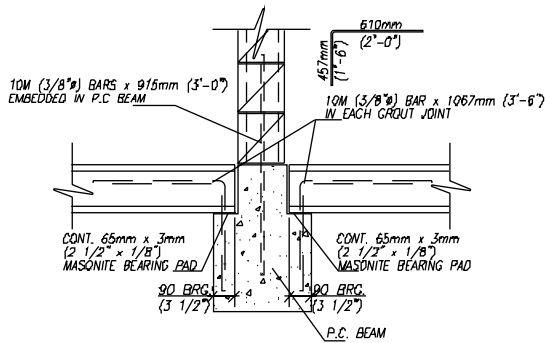


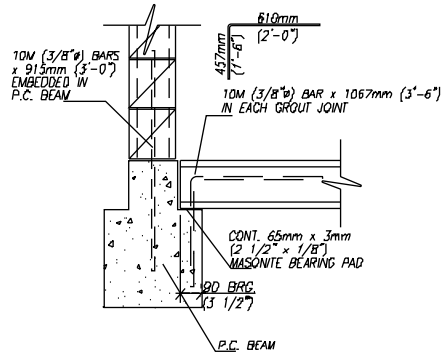
Precast Slab Bearing on Precast Beam
N.T.S.



Precast Slab Side Bearing on Precast Beam
N.T.S.



Precast Slab Bearing on Precast Beam
N.T.S.



Precast Slab Bearing on Precast Beam
N.T.S.

All connections shown are to be used for concept design only.