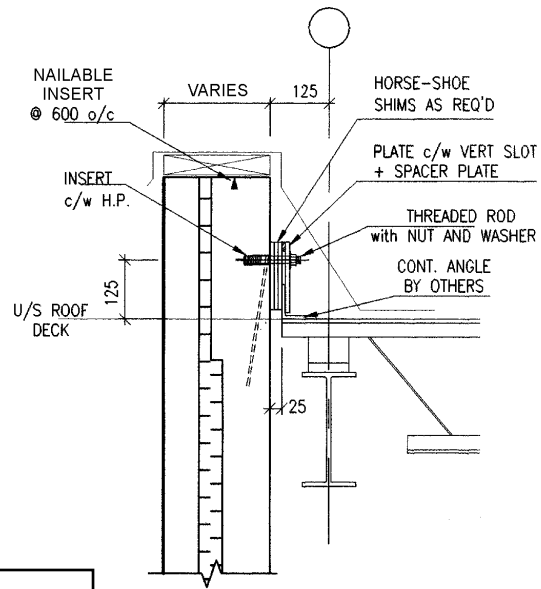
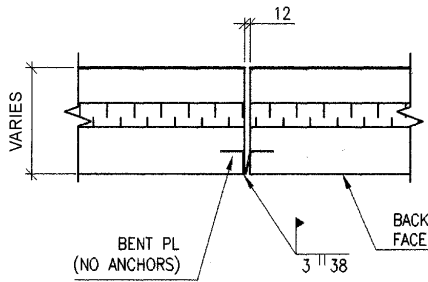


Section  
Bottom Lateral  
(Connection D-1)

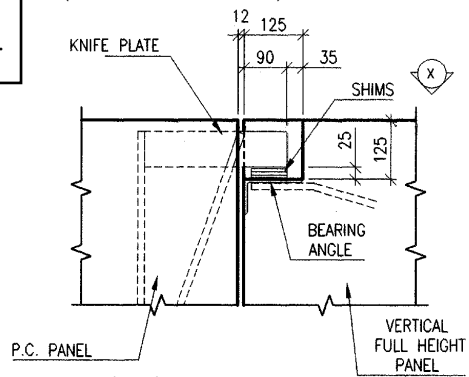


Section  
Top Lateral  
(Connection D-2)

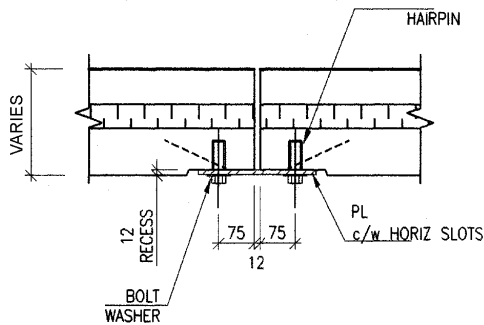
Note: All connections shown are for concept design only.



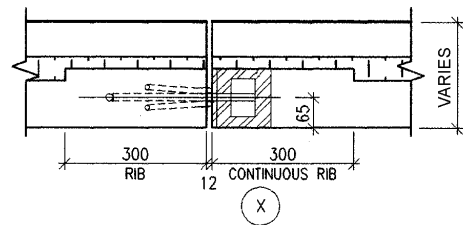
Plan Detail  
Mid-Height Lateral  
(Connection D-3)



Back Elevation  
Load Bearing @ O.H. Door  
(Connection D-5)



Plan Detail  
Panel to Panel Lateral  
(Connection D-4)



Plan Detail  
Load Bearing @ O.H. Door  
(Connection D-5)