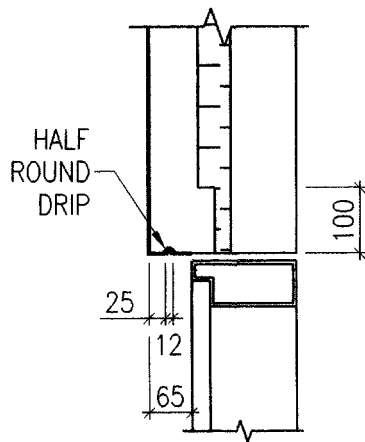
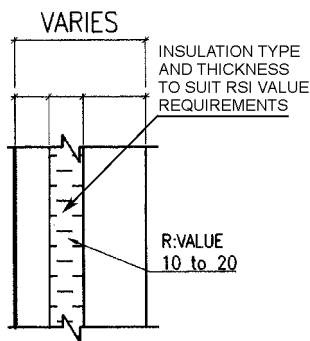


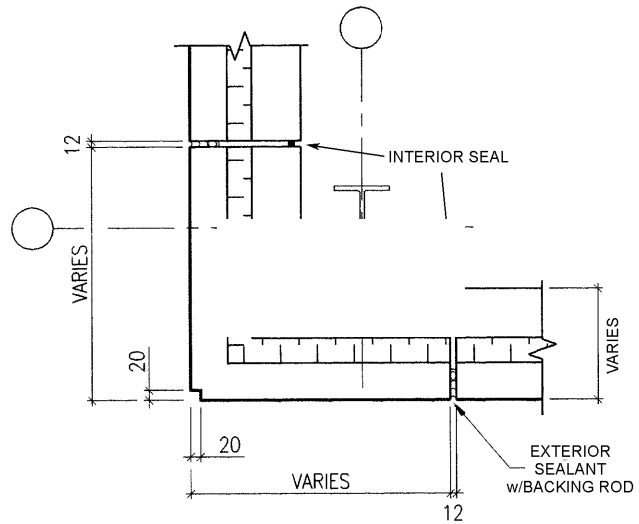
Plan Detail



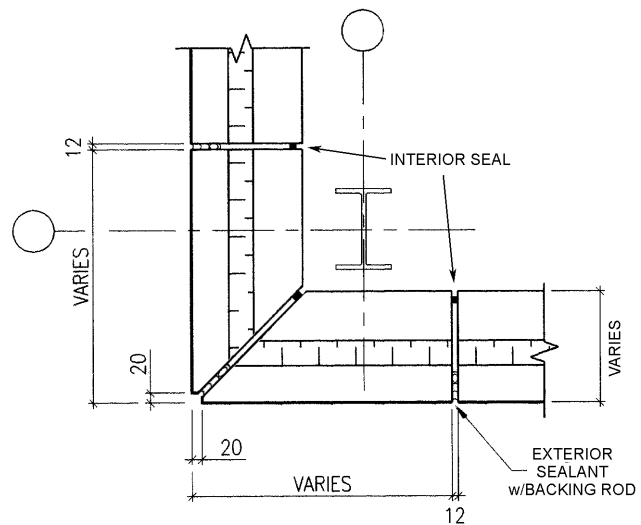
Head Detail @ Man Door



Typical Wall Sections



Plan Detail @ Corner



Mitred Detail

*Insulation and panel thickness varies as required to meet insulated wall performance.*