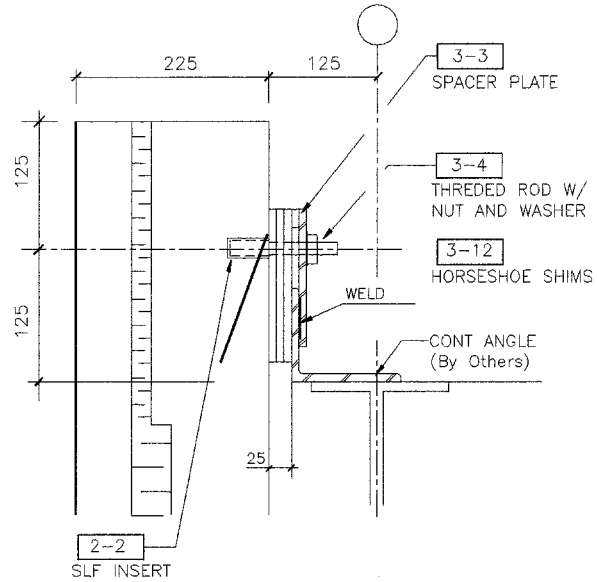


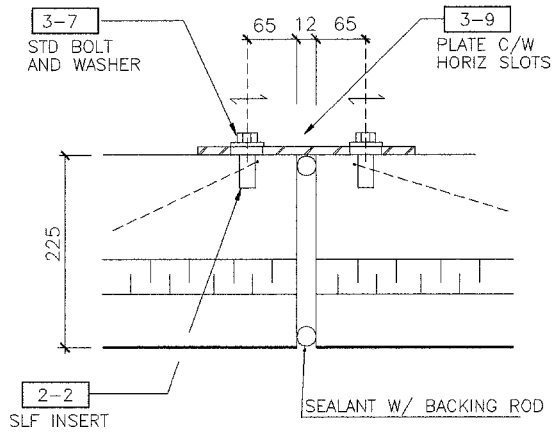
Section

**Load Bearing and Lateral
Conn D-1**



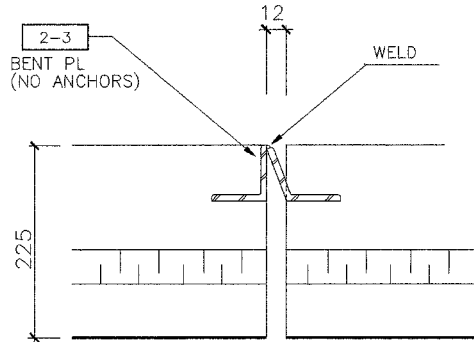
Section

**Top Lateral
Conn D-2**



Plan

**Panel to Panel Conn
Conn D-4**



Plan

**Panel to Panel Conn
Conn D-5**