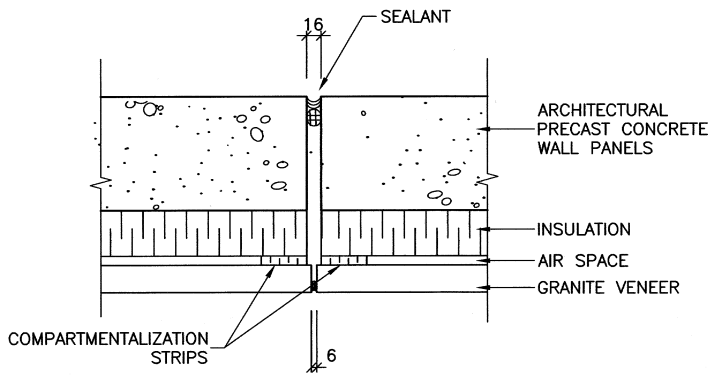
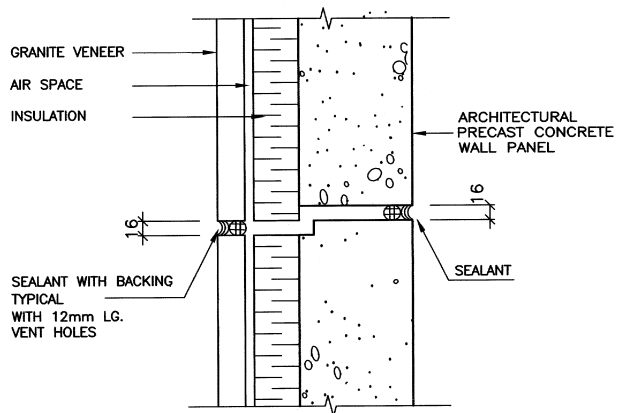


Part Typical Elevation of Granite Veneer Precast Panels



1 Granite Veneer
Typical Vertical Joint



2 Granite Veneer
Typical Horizontal Joint